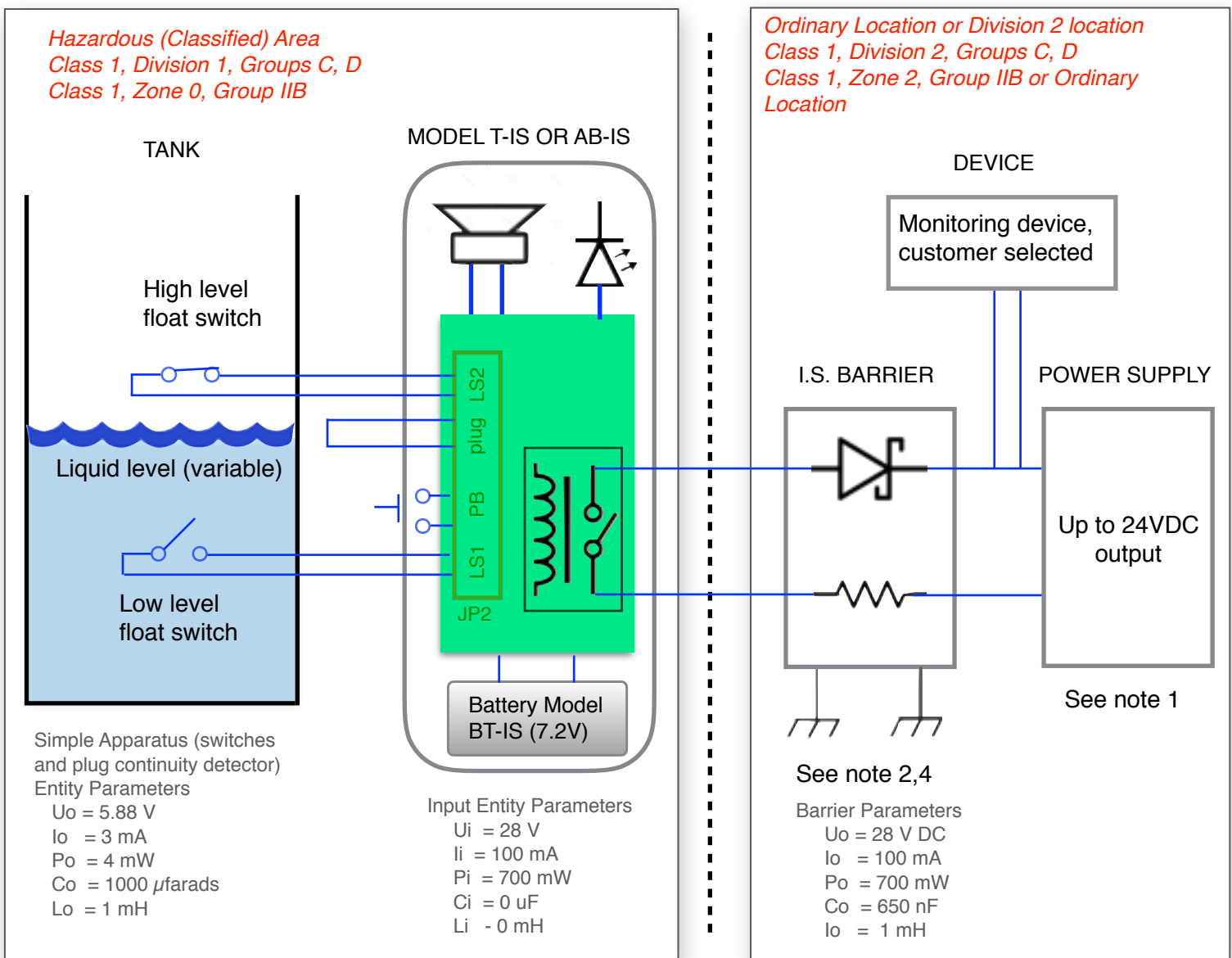


GIZMO ENGINEERING CONTROL DRAWING FOR MODEL T-IS AND AB-IS

NOTES

1. Maximum safe area voltage is 250V.
2. The associated apparatus (barrier) must be connected to a suitable ground electrode per the National Electrical Code (NFPA 70) the Canadian Electrical Code, or other installation codes, as applicable by the authority having jurisdiction. (AHJ)
3. Tank float switches, push-button, and continuity wire in Division/Zone 0 are Simple Apparatus.
4. The resistance of the ground path must be less than 1 Ω .
5. Intrinsically safe circuits must be wired and separated in accordance with Article 504.20 of the National Electrical Code (ANIS/NFPA 70) or other local codes, as applicable.
6. The associated apparatus has not been evaluated for use in combination with another associated apparatus.
7. This drawing may not be altered without notice to the certification body.
8. Battery package is Intrinsically Safe and may be replaced in the Hazardous Location.
9. Intrinsically Safe battery package BT-IS must ONLY be used with models T-IS or AB-IS.
10. Float switches, Plug Continuity circuit and Push Button switch are all derived from the same circuit and operate at extremely low power, and separation per NEC 504.30 (B) is not required because combined energy from all 4 circuits is Intrinsically Safe. Intrinsically Safe circuits in connector JP2 must be separated from the the Barrier Protected Intrinsically Safe circuit of RY1 by at least 6 mm (0.25 inch).



Title: Control Drawing	File: Control Drawing IS-001
Author: Peter Blokhuis, Gizmo Engineering	Revision: 1.0 May 12, 2017 Page 1 of 1